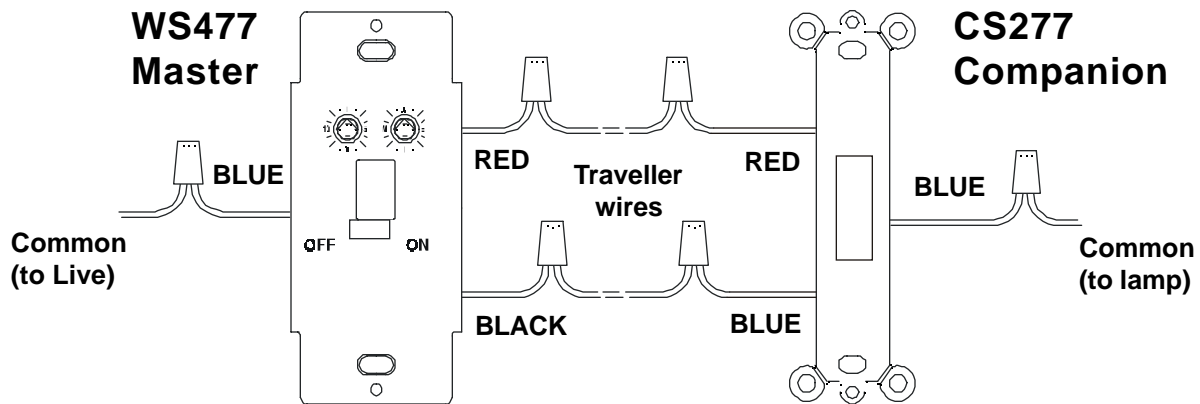


## 3-Way Wall Dimmer Set Up and Operating Instructions Model WS4777 (WS477 + CS277)



The WS4777 Wall Dimmer Set is designed to control **incandescent only** lights with a rating of between 40W and 500W. Lights rated below 40W might flicker or operate erratically. The switches included in the set are the WS477 Master Switch and CS277 Companion Switch. Both switches are used to replace two switches that control the same light (3-way). A push-button is provided on each switch for local on/off control.

**WARNING: Wall Dimmer Modules must not be used to control appliances, or low voltage, or fluorescent lamps.**

### Installing the Wall Dimmer Module:

- Disconnect the power at the circuit breaker panel.
- Remove wall plates and unscrew the existing switches from their boxes. Identify the common wire at each existing switch (usually connected to a different color terminal).
- Replace one of the existing wall switches with the WS477 Wall Dimmer (Master): Connect the common wire to the BLUE wire on the WS477 using a wire nut. Connect the two remaining “traveller wires” to the RED and BLACK wires on the WS477, using wire nuts. If one of the travellers is red connect it to the RED wire on the WS477.
- Replace the other existing wall switch with the CS277 Companion Switch: Connect the common wire to one of the CS277's BLUE wires. Connect the traveller which you connected to the RED wire on the WS477 to the RED wire on the CS277. Connect the remaining traveller wire to the second BLUE wire on the CS277. Screw both switches into their wall boxes (don't replace the wall plates yet).

### Setting up and operating the Wall Dimmer Module:

- Set the House Code dial to the same letter (A thru P) that you set on your X10 controller(s).
- Set the Unit Code dial to an unused code (1 - 16) which can be controlled from any X10 controller.
- Set the power on-off slide switch (under the push button) to the ON (center) position. Turn this switch OFF (left) when changing a light bulb.
- Replace the wall plates.
- Turn the power back on at the circuit breaker panel.
- Press the push button to turn the module on and off.
- You can turn the module on and off and dim and brighten it remotely from X10 Controllers.

**LIMITED 1-YEAR WARRANTY** X10.com, a division of X10 Wireless Technology, Inc. (X10) warrants X10 products to be free from defective material and workmanship for a period of one (1) year from the original date of purchase at retail. X10 agrees to repair or replace, at its sole discretion, a defective X10 product if returned to X10 within the warranty period and with proof of purchase.

If service is required under this warranty:

Call 1-800-442-5065, visit [www.x10.com](http://www.x10.com), or e-mail [sales@x10.com](mailto:sales@x10.com).